

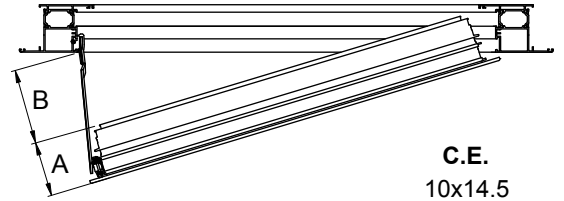
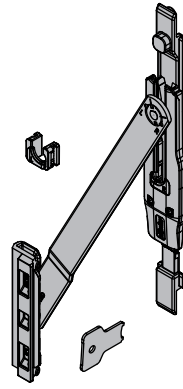
SAFETY MULTIFUNCTIONAL ARM

Art. 1456

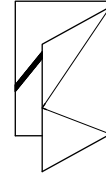
LIMITE

fapim[®]
Life in evolution

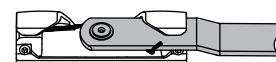
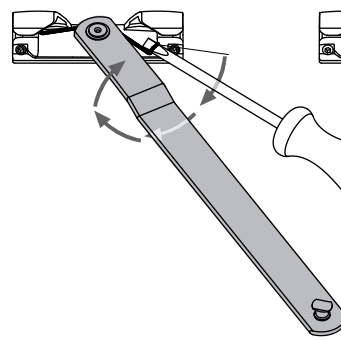
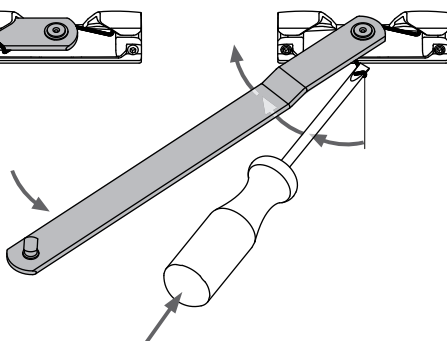
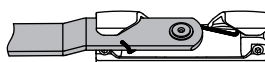
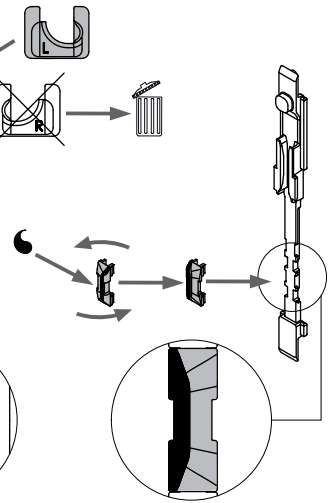
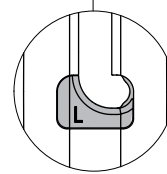
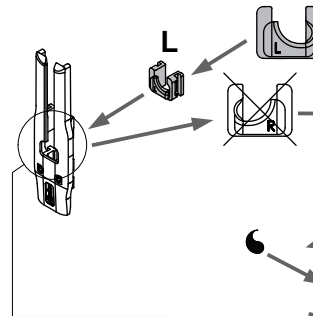
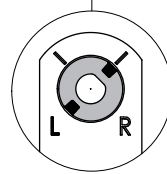
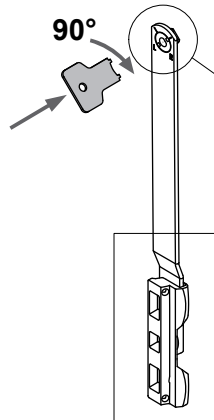
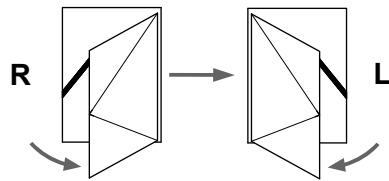
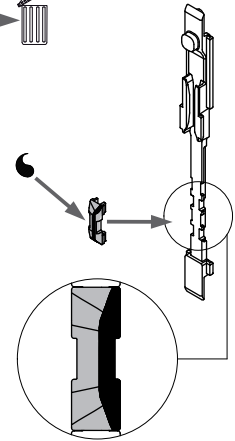
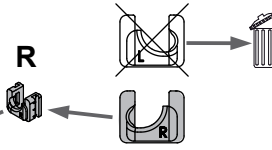
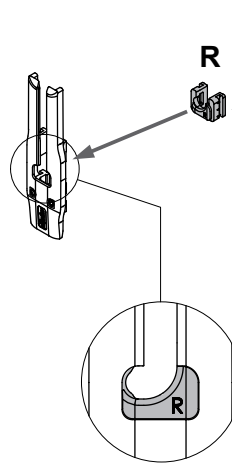
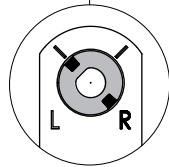
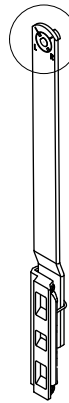
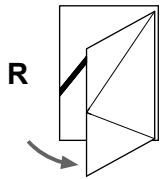
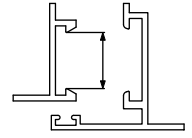
ULCC - Rev.00

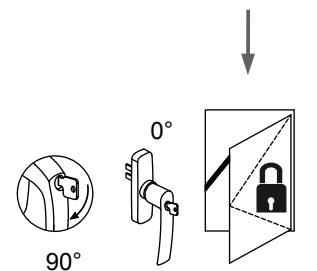
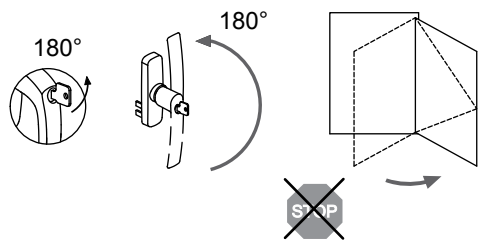
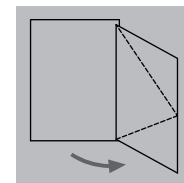
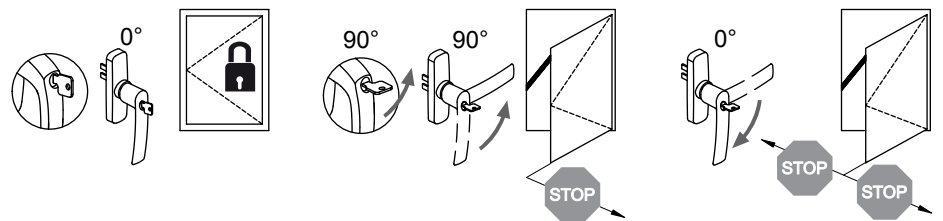
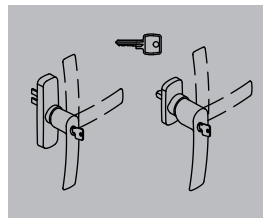
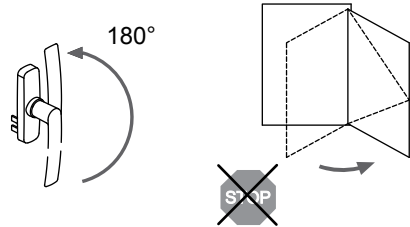
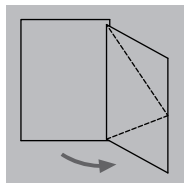
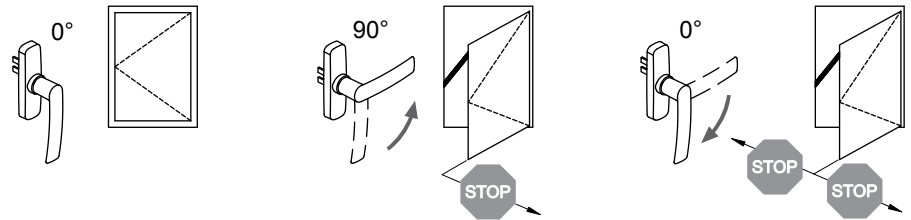
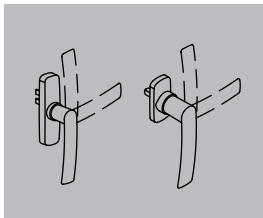
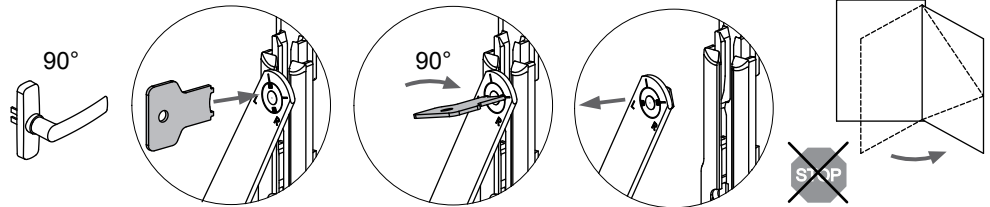
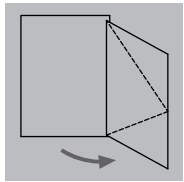
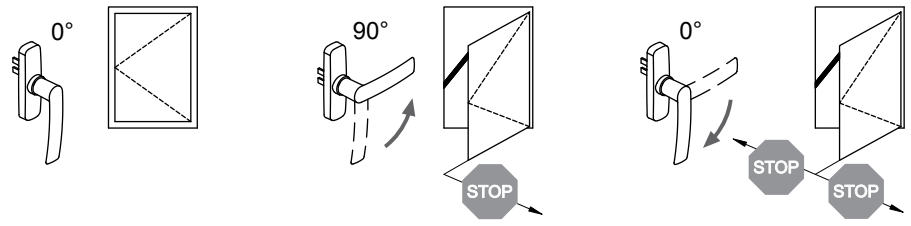
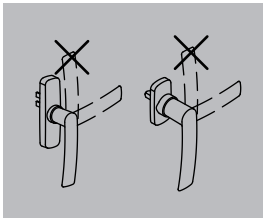


C.E.
10x14.5
12x15
13.6x16.8
14x18



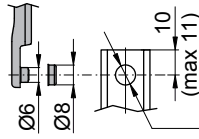
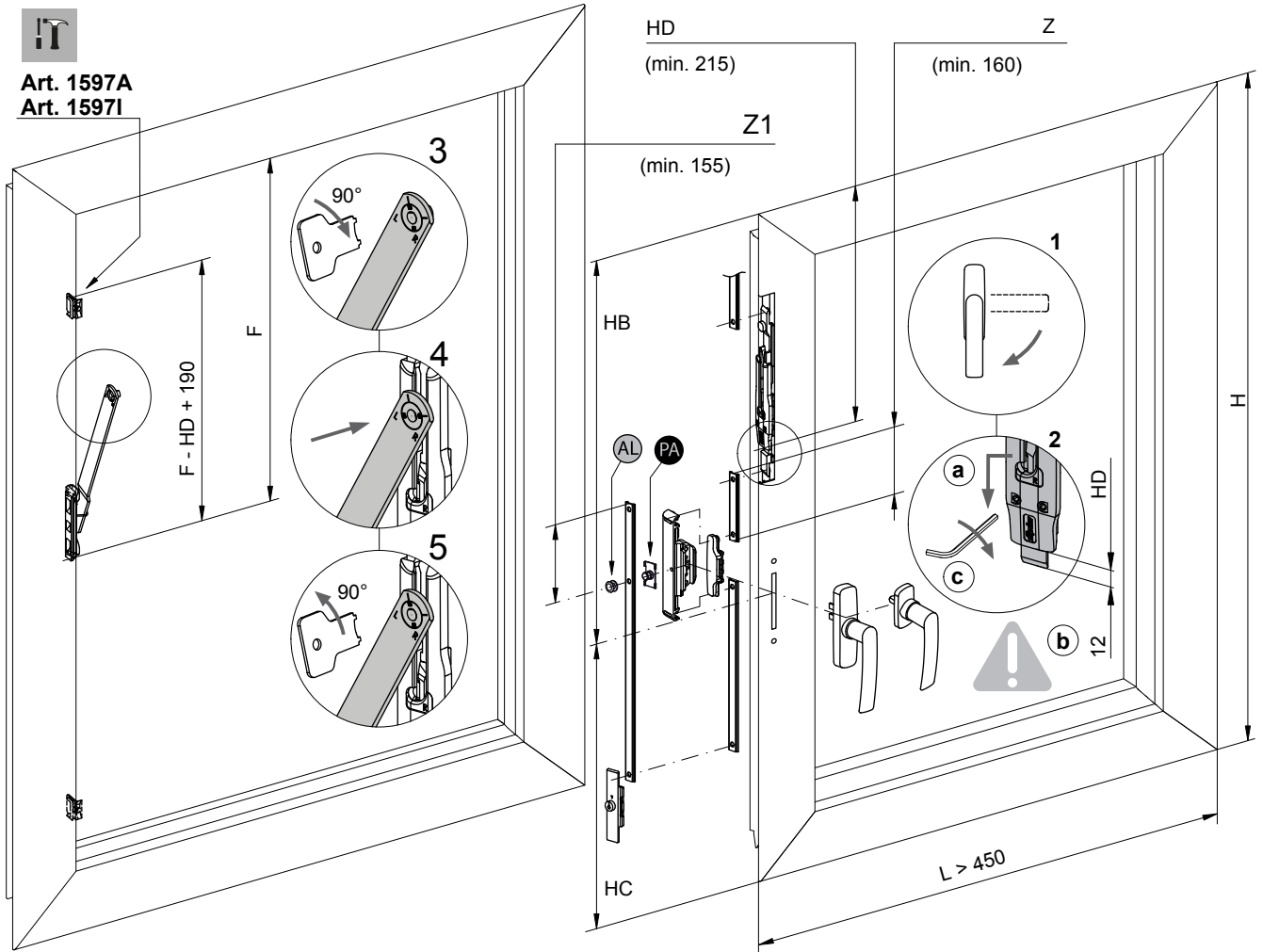
$B = 170 - A$



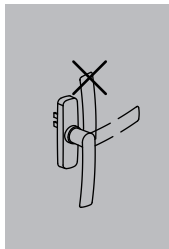




Art. 1597A
Art. 1597I



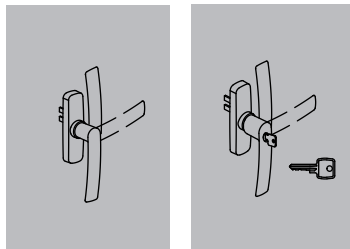
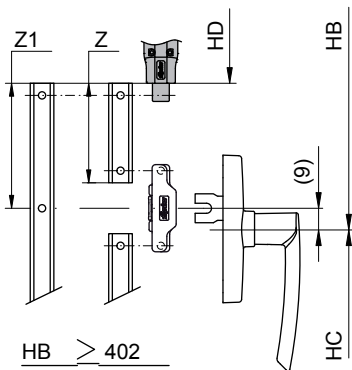
- AL Ø6-Ø8
- PA Ø6



$F = HD + 125$

$Z = HB - HD - 27$

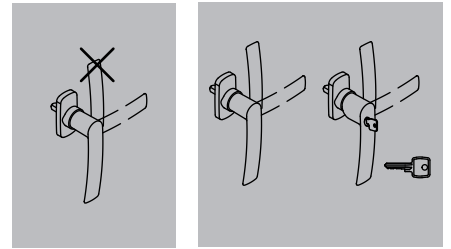
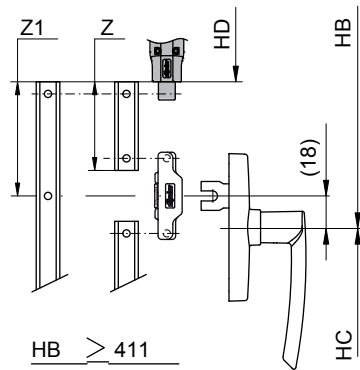
$Z1 = HB - HD - 6$



$F = HD + 130$

$Z = HB - HD - 36$

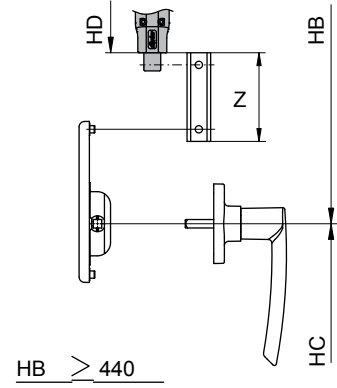
$Z1 = HB - HD - 15$



$F = HD + 125$

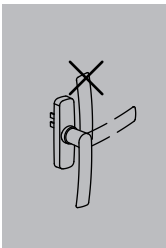
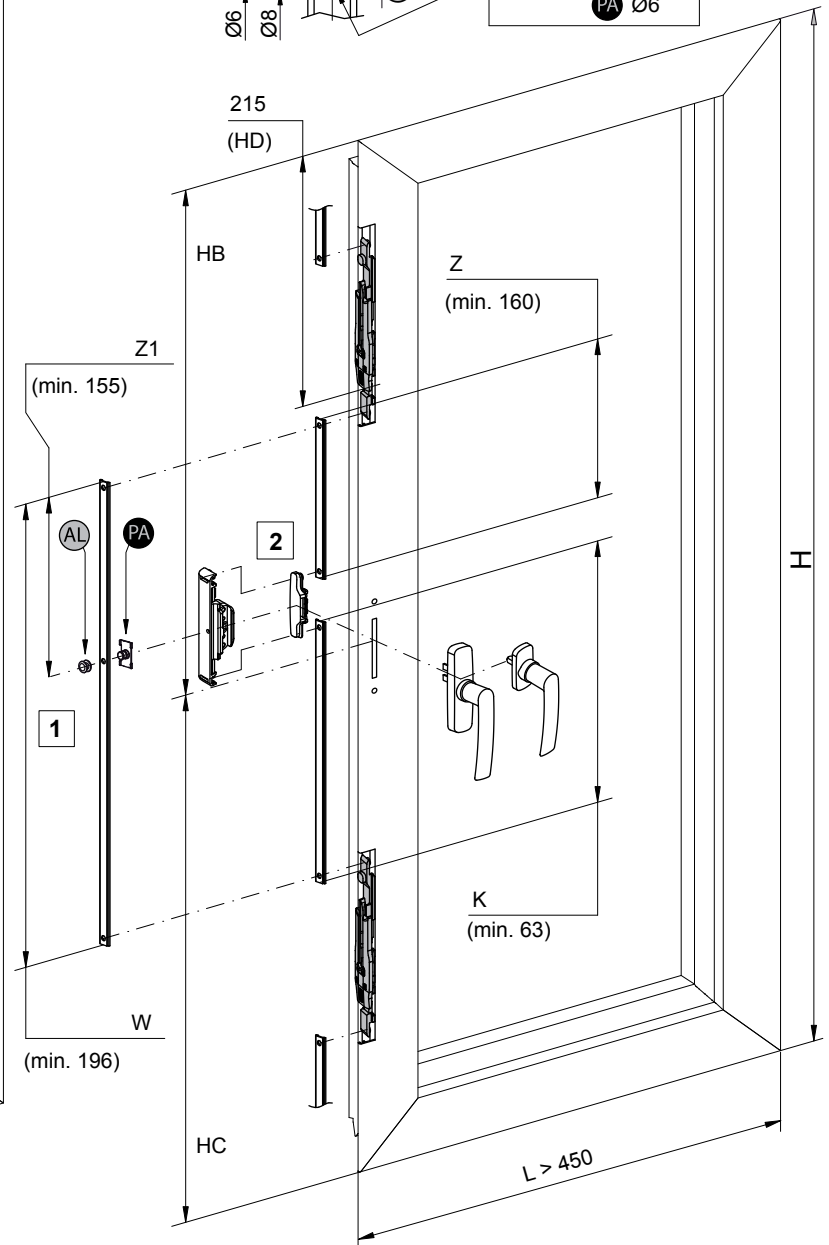
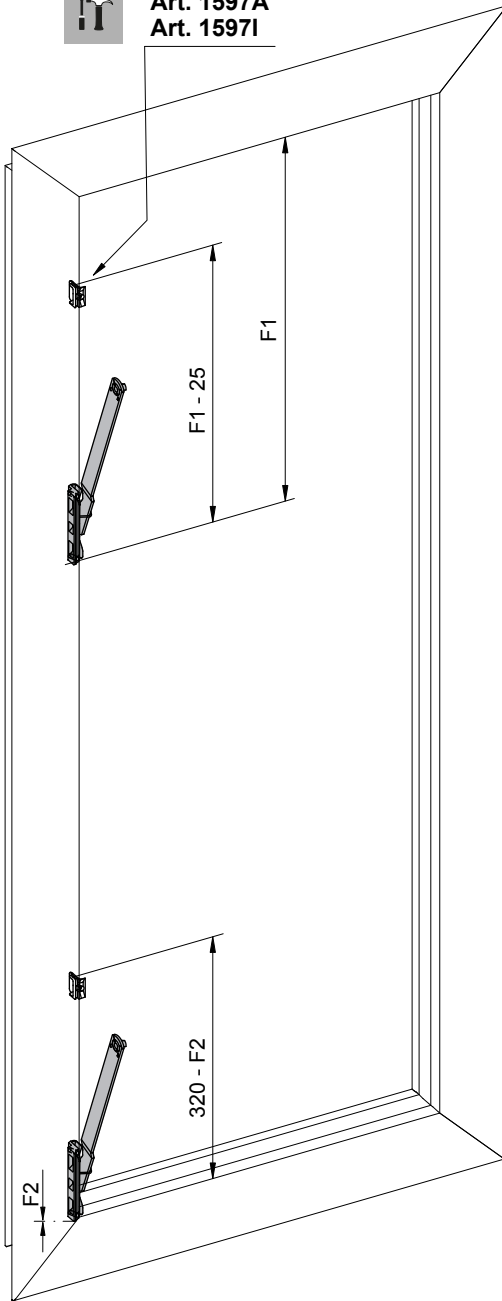
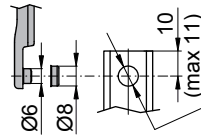
$F = HD + 130$

$Z = HB - HD - 65$





Art. 1597A
Art. 15971



1

HB > 376

HC > 352

Z1 = HB - 221

W = H - 532

2

HB > 402

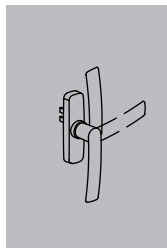
HC > 395

Z = HB - 242

K = HC - 332

F1 = 340

F2 = 5



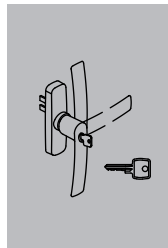
1

HB > 385

HC > 361

Z1 = HB - 230

W = H - 532



2

HB > 411

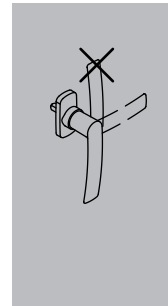
HC > 386

Z = HB - 251

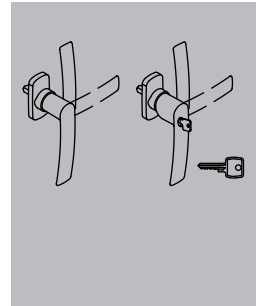
K = HC - 323

F1 = 345

F2 = 0



**F1=340
F2=5**



**F1=345
F2=0**

HB > 440

HC > 415

Z = HB - 280

K = HC - 352